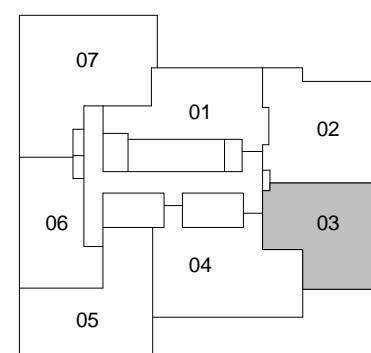
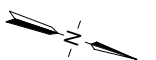




SUITE: 2-H  
SUITE AREA: 824 sf



LEVEL LPH-PH



Disclaimer : Materials, specifications & floor plans are subject to change without notice. All renderings are artist's conceptions. All floor plans have approximate dimensions. Actual usable floor space may vary from the stated floor area. E.&O.E.